

# ELMO

# P10

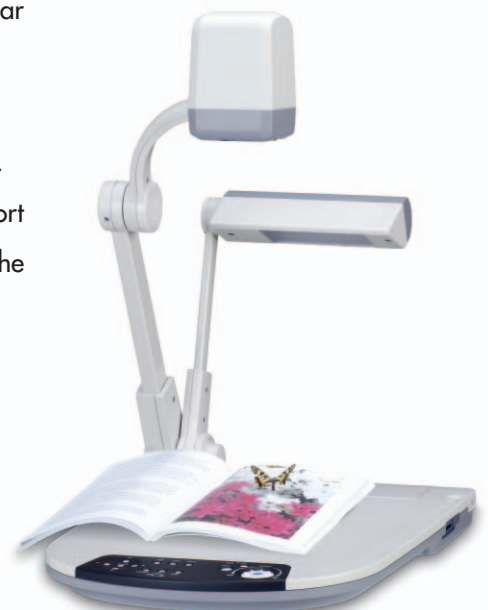
Visual Presenter

Set the stage for exceptional presentations



The P10 offers both exceptional image quality and flexibility for a variety of documents and media.

Progressive scanning with a free-angle camera arm and detailed 48X zoom ensures crystal-clear imagery and captures moving objects at impressive frame rates. Several video output options let you connect to almost any monitor. Combined with built-in SD Memory Card support and a lightweight, compact design, the P10 is the ultimate in versatility and quality.



- 850,000-Pixel CCD
- 48X Zoom
- 20 fps Frame Rate
- Free Angle Camera Arm & Lamp
- SD Memory Card-Ready
- Split Display
- 6 User Settings
- A3 Size Shooting Area
- 10.4 lbs
- Application Software (Option)

# P10 Specifications

Model		P10	
Camera	Image pickup device	1/3" progressive scan CCD	
	Total pixels	1,077 (H) x 788 (V), 850,000 pixels	
	Effective pixels	1,034 (H) x 779 (V)	
	Frame rate	20 fps	
	Resolution	600 (H) x 600 (V) TV lines	
	RGB output	450 (H) TV lines	
	Video output	450 (H) TV lines	
Optics	Zoom	Powered (with variable speed function ), 12X optical, 4X digital	
	Lens	F2.8, f=4.7 to 56.4 mm	
	Shooting area	Max. 405 x 303 mm (15 15/16" x 11 15/16"), min. 36.5 x 28 mm (1 7/16" x 1 3/32")	
	Focus	Auto/Manual (powered)	
	Iris	Auto (with level adjustment)/Manual	
	Functions	White balance	Full-auto/One-push/Manual
Negative/positive conversion		Provided	
Aperture enhancement		Provided	
Text mode		Provided	
Edge enhancement		Provided	
Color/B&W selection		Provided	
Pause mode		Provided	
Gamma adjustment		Provided	
OSD (on-screen display)		Provided	
Split display		Provided (SD Memory Card image, 9-split, 16-split)	
Image save		Provided (onto SD Memory Card )	
Image rotation		Provided (0°, 180°)	
State presetting		Up to 6 user settings	
Sync. system		Internal	
Input/output		Internal selection	Int./RGB
	Analog RGB output	XGA (1,024 x 768 @60 Hz), VESA	
	Video output	Composite, S-video	
	RGB input	Provided	
	DVI output	Provided	
PC interface	RS-232C port	Provided	
	USB port	Provided	
Memory card	SD Memory Card slot	Provided	
Lighting	Upper lighting unit	Provided (twin fluorescent lamp)	
Others	Supplied accessories	I/R remote control, AC adapter, cables, etc.	
	Dimensions	Set up	377 x 482 x 582 mm (14 27/32" x 18 31/32" x 22 29/32")
		(W x D x H) Folded	377 x 482 x 180 mm (14 27/32" x 18 31/32" x 7 3/32")
	Weight	4.7 kg (10.4 lbs)	
	Application software (option)	Image Mate for Presentation, Image Mate for Movie Creation, TWAIN driver [for Windows™ 2000 (SP4 or later), Windows™ XP (SP2 or later)]	
Power source	AC 100 to 240V, 50/60 Hz		

H: horizontal, V: vertical

## Rear panel

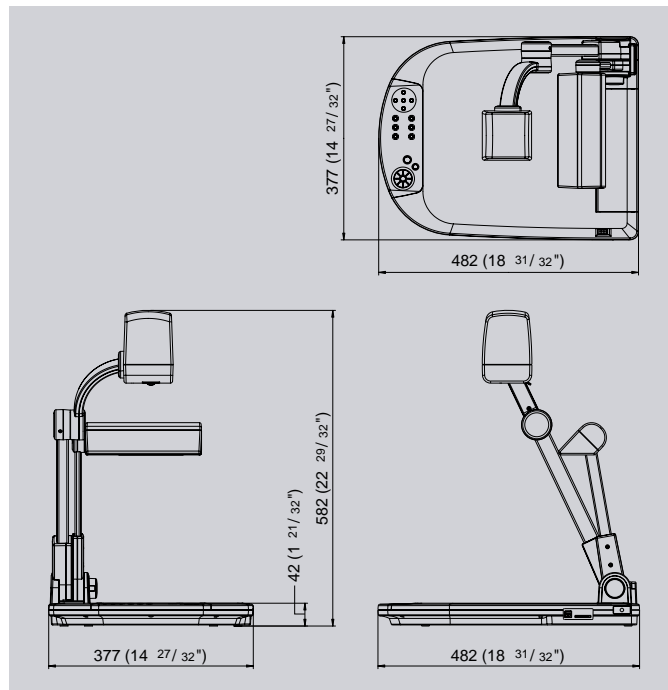
Design and specifications are subject to change without prior notice.

**ELMO** is a trademark of ELMO COMPANY, LIMITED.

SD logo is a trademark. Other brand names and product names may be trademarks or registered trademarks of their respective owners.

## Profile

All dimensions in mm (inches)



## Optional Accessories

- 5-inch color LCD monitor LM-5011N
- Monitor shoe MS-30

## Image Mate software for creating outstanding PC presentations

Live video

Still image

Annotate your presentation right from a PC

Split Screen lets you compare live video to stored images

Save video files to a PC



ELMO CO., LTD.(Head Office and Factory) is QMS/EMS has been registered to ISO 9001:2000 & ISO 14001:2004.

mail: